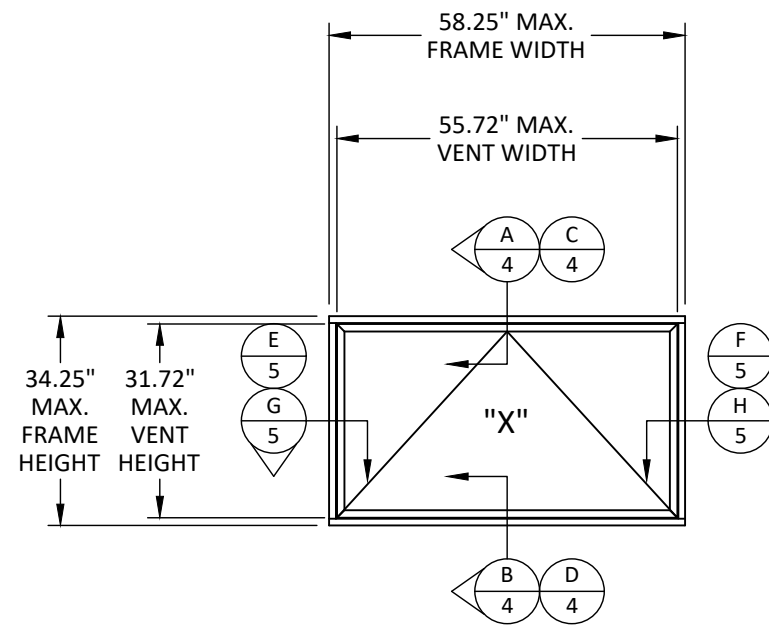
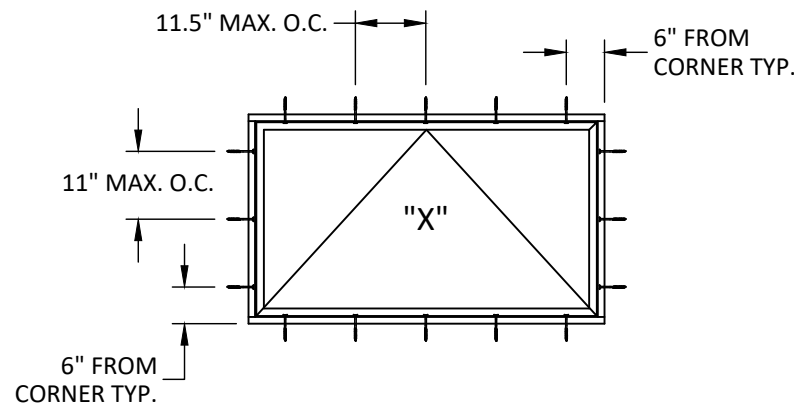


ELEVATION, ANCHOR LAYOUT, & DESIGN PRESSURE TABLE



ELEVATION

DESIGN PRESSURE (PSF)				DESIGN PRESSURE (PSF)			
NOMINAL DIMS.		"X" CONFIGURATION		NOMINAL DIMS.		"X" CONFIGURATION	
FRAME HEIGHT 'in.'	FRAME WIDTH 'in.'	EXT. (+)	INT. (-)	FRAME HEIGHT 'in.'	FRAME WIDTH 'in.'	EXT. (+)	INT. (-)
16.25	34.25	60.0	60.0	16.25	52.25	60.0	60.0
22.25		60.0	60.0	22.25		60.0	60.0
28.25		60.0	60.0	28.25		60.0	60.0
34.25		60.0	60.0	34.25		60.0	60.0
40.25		51.1	51.1	37.25		55.2	55.2
46.25		44.4	44.4	16.25		60.0	60.0
52.25	40.25	39.3	39.3	22.25	58.25	60.0	60.0
16.25		60.0	60.0	28.25		60.0	60.0
22.25		60.0	60.0	34.25		60.0	60.0
28.25		60.0	60.0	16.25		60.0	60.0
34.25		60.0	60.0	22.25		60.0	60.0
40.25		51.1	51.1	28.25		60.0	60.0
46.25	44.4	44.4	30.25	60.0	60.0		
49.25	41.7	41.7	16.25	60.0	60.0		
16.25	46.25	60.0	60.0	22.25	70.25	60.0	60.0
22.25		60.0	60.0	28.25		60.0	60.0
28.25		60.0	60.0				
34.25		60.0	60.0				
40.25		51.1	51.1				
42.25		48.6	48.6				



**ANCHOR LAYOUT
THRU FRAME**

HARDWARE SCHEDULE

HARDWARE TYPE	DESCRIPTION
HURRICANE CAM HANDLES	THREE CAM HANDLES 12" FROM EACH INTERIOR CORNER AND CENTERED. SECURED WITH TWO (2) #10 X 1/2" PFH SCREWS AND A 3/16" ALUMINUM SPACER.
HURRICANE STRIKES	THREE STRIKES 12" FROM EACH INTERIOR CORNER AND CENTERED. SECURED WITH TWO (2) #10 X 3/8" PFH SCREWS.
TRUTH EGRESS HINGES	TWO (2) HINGES SECURED TO THE FRAME WITH THREE (3) #10 X 1/2" PRH SCREWS AND TO THE SASH RAILS WITH #10 X 3/8" PRH SCREWS.



2301 EAST VERNON AVE.
VERNON, CA 90058
PH: (323) 771-9819

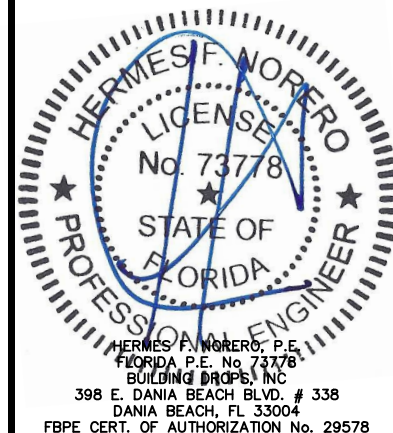
TITLE: SERIES IPT-200
AWNING WINDOW
(WZ3) (IMPACT)
ELEVATION, ANCHOR LAYOUT,
& DESIGN PRESSURE TABLE

PREPARED BY:
BUILDING DROPS, INC.
398 E. DANIA BEACH BLVD., STE. 338
DANIA BEACH, FL 33004
PH: (954) 399-8478
FAX: (954) 744-4738
WEB: www.buildingdrops.com



REMARKS	BY	DATE

THE INSTALLATION DETAILS DESCRIBED HEREIN ARE GENERIC AND MAY NOT REFLECT ACTUAL CONDITIONS FOR A SPECIFIC SITE. IF SITE CONDITIONS CAUSE INSTALLATION TO DEVIATE FROM THE REQUIREMENTS DETAILED HEREIN, A LICENSED ENGINEER OR ARCHITECT SHALL PREPARE SITE SPECIFIC DOCUMENTS FOR USE WITH THIS DOCUMENT.



FL #: **FL40954**

DATE: **01.02.22**

DWG. BY: **SH** CHK. BY: **HN**

SCALE: **NTS**

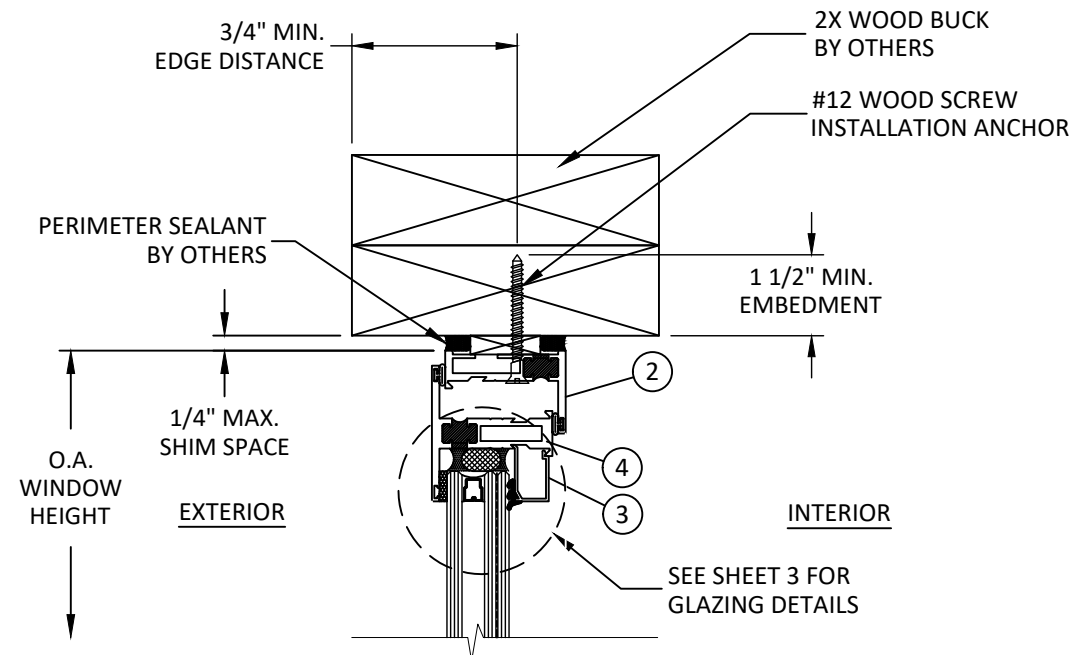
DWG. #: **ARC004**

SHEET:

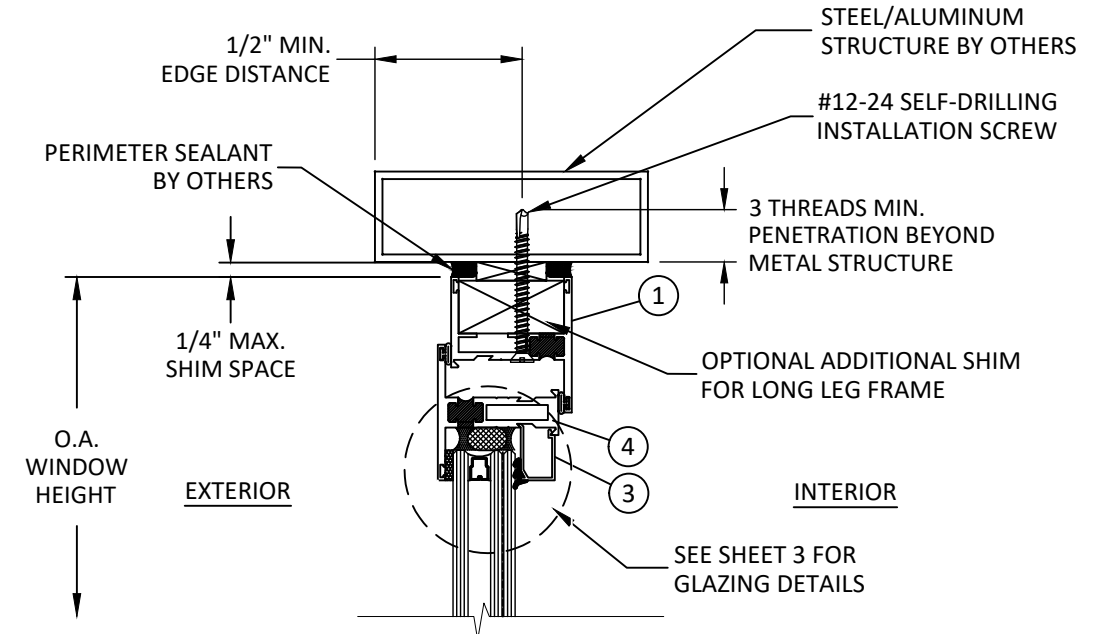
2

OF 6

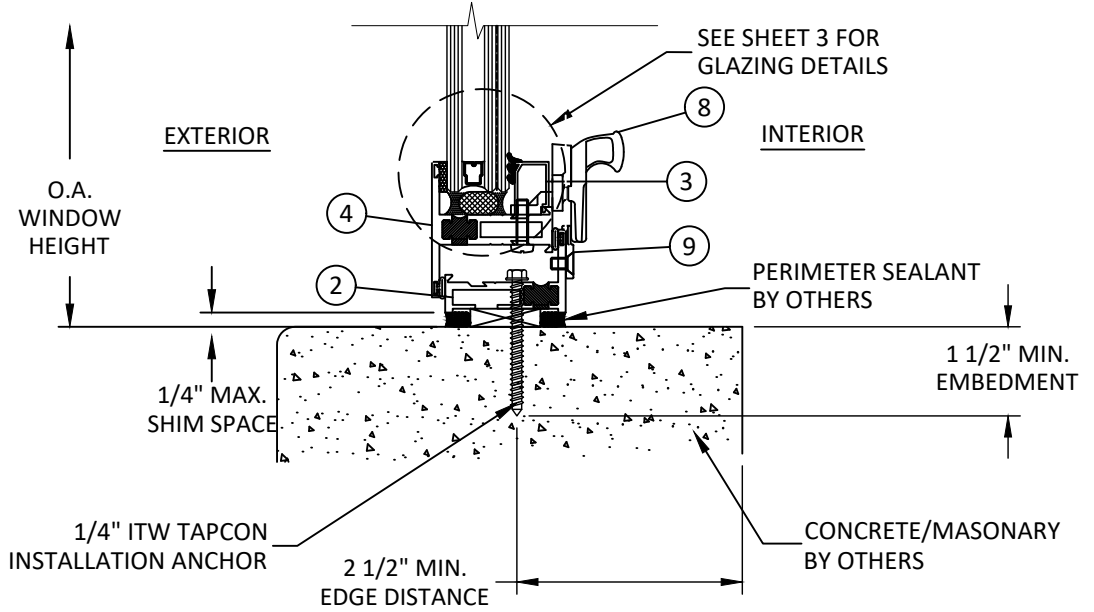
2/14/2022 3:27 PM
 s:\projects\arcadia_incl\bc-22-0129.1 - fbc submittal - fcd70 aluminum storefront, opg1900 curtain wall system, 1200 casement window, ws512 entrance door, ms362 entrance door.dwg\arc004.dwg



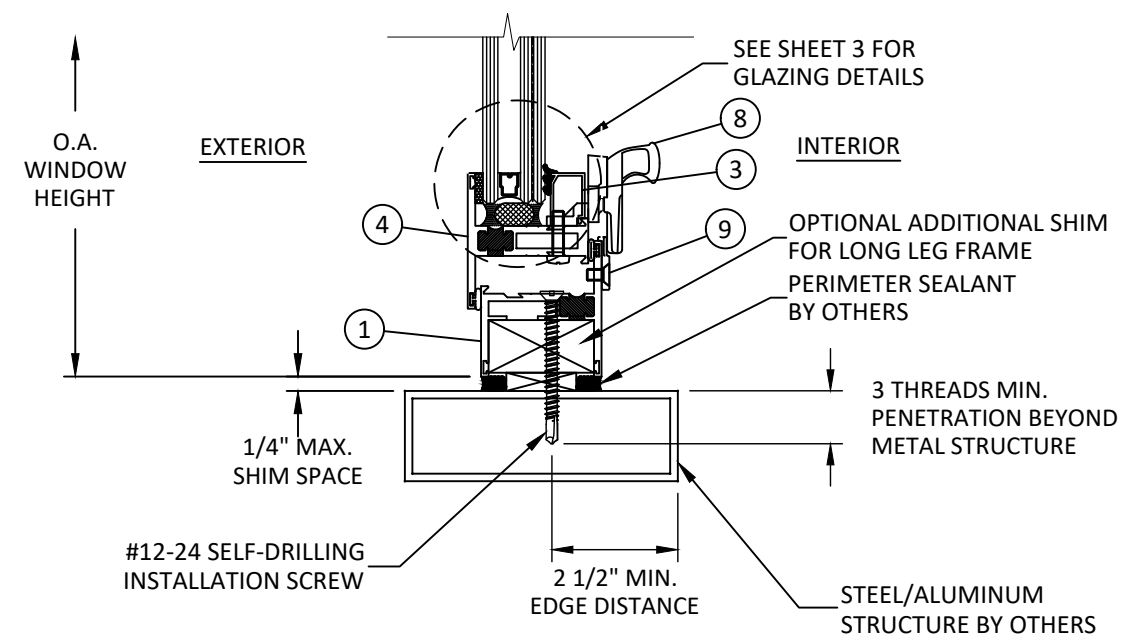
A
4 VERTICAL SECTION
2X WOOD BUCK



C
4 VERTICAL SECTION
STEEL/ALUMINUM STRUCTURE



B
4 VERTICAL SECTION
CONCRETE/MASONRY



D
4 VERTICAL SECTION
STEEL/ALUMINUM STRUCTURE



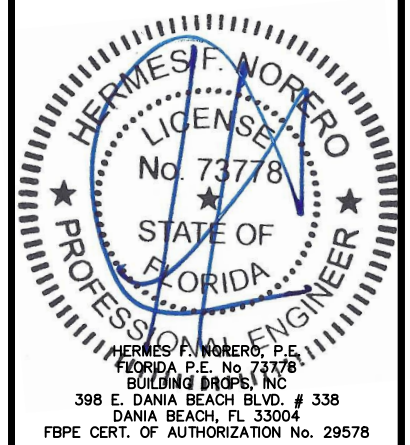
2301 EAST VERNON AVE.
VERNON, CA 90058
PH: (323) 771-9819

TITLE: SERIES IPT-200 AWNING WINDOW (WZ3) (IMPACT)
VERTICAL SECTIONS

PREPARED BY: BUILDING DROPS, INC.
398 E. DANIA BEACH BLVD., STE. 338
DANIA BEACH, FL 33004
PH: (954) 399-8478
FAX: (954) 474-4738
WEB: www.buildingdrops.com

REMARKS	BY	DATE

THE INSTALLATION DETAILS DESCRIBED HEREIN ARE GENERIC AND MAY NOT REFLECT ACTUAL CONDITIONS FOR A SPECIFIC SITE. IF SITE CONDITIONS CAUSE INSTALLATION TO DEVIATE FROM THE REQUIREMENTS DETAILED HEREIN, A LICENSED ENGINEER OR ARCHITECT SHALL PREPARE SITE SPECIFIC DOCUMENTS FOR USE WITH THIS DOCUMENT.



FL #: **FL40954**

DATE: **01.02.22**

DWG. BY: **SH** CHK. BY: **HN**

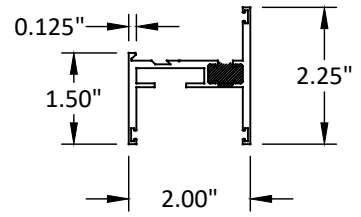
SCALE: **NTS**

DWG. #: **ARC004**

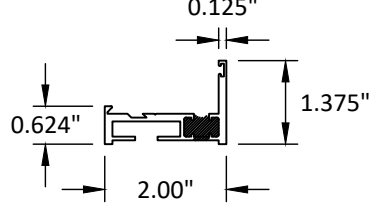
SHEET: **4** OF 6

s:\projects\arcadia, inc\lbc-22-0129.1 - lbc submittal - lbc470 aluminum storefront, opp1900 curtain wall system, l200 casement window, ws512 entrance door, ms362 entrance door.dwg\arc004.dwg 2/14/2022 3:27 PM

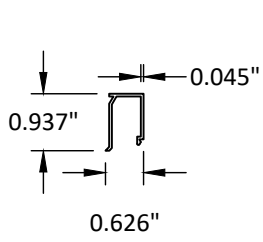
BILL OF MATERIALS				
ITEM	PART No.	DESCRIPTION	MATERIAL	MANUF./SUPPLIER/REMARKS
1	WTH-01	FRAME HEAD, SILL, & JAMB (LONG LEG)	6063-T6	ARCADIA INC.
2	WTH-02	FRAME HEAD, SILL, & JAMB (SHORT LEG)	6063-T6	ARCADIA INC.
3	WWB-03	GLAZING STOP	6063-T6	ARCADIA INC.
4	WTT-02	SASH RAIL	6063-T6	ARCADIA INC.
5	E260	GLAZING GASKET	E.P.D.M	VIP RUBBER
6	V994	GLAZING TAPE	-	NORTON
7	331	EGRESS HINGE	STAINLESS STEEL	TRUTH HARDWARE
8	162-001	CAM LOCK	STAINLESS STEEL	BRONZE CRAFT
9	282-055	LOCK STRIKE	STAINLESS STEEL	BRONZE CRAFT
10	S5051-5	WEATHER-STRIP	-	VIP RUBBER



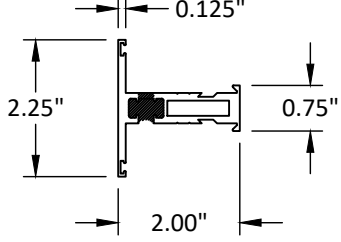
1 FRAME (LONG LEG)
6063-T6



2 FRAME (SHORT LEG)
6063-T6



3 GLAZING STOP
6063-T6



4 SASH RAIL
6063-T6

2301 EAST VERNON AVE.
VERNON, CA 90058
PH: (323) 771-9819

TITLE: SERIES IPT-200
AWNING WINDOW
(WZ3) (IMPACT)
BILL OF MATERIALS
AND COMPONENTS

PREPARED BY:
BUILDING DROPS, INC.
398 E. DANIA BEACH BLVD., STE. 338
DANIA BEACH, FL 33004
PH: (954) 399-8478
FAX: (954) 744-4738
WEB: www.buildingdrops.com

REMARKS	BY	DATE

THE INSTALLATION DETAILS DESCRIBED HEREIN ARE GENERIC AND MAY NOT REFLECT ACTUAL CONDITIONS FOR A SPECIFIC SITE. IF SITE CONDITIONS CAUSE INSTALLATION TO DEVIATE FROM THE REQUIREMENTS DETAILED HEREIN, A LICENSED ENGINEER OR ARCHITECT SHALL PREPARE SITE SPECIFIC DOCUMENTS FOR USE WITH THIS DOCUMENT.

HERMES F. MORERO, P.E.
FLORIDA P.E. No. 73778
BUILDING DROPS, INC.
398 E. DANIA BEACH BLVD. # 338
DANIA BEACH, FL 33004
FBPE CERT. OF AUTHORIZATION No. 29578

FL #: **FL40954**

DATE: **01.02.22**

DWG. BY: **SH** CHK. BY: **HN**

SCALE: **NTS**

DWG. #: **ARC004**

SHEET:

6

OF 6